

Standard Preparation 600 mm Ventilated Hot Cupboard with Shelf & 1 Hinged Door - no top

ITEM # _____

MODEL # _____

NAME # _____

SIS # _____

AIA # _____


133187 (RHC6001HD)

 Hot Cupboard with 1 hinged
 door - no Top, 600mm

Short Form Specification

Item No. _____

Made entirely from stainless steel. Inner welded frame in stainless steel. No top unit for integrated solutions. Sound-deadened hinged door. Base panel in 304 AISI stainless steel and heightadjustable intermediate shelf. Mounted on feet, adjustable in height. Ventilated hot air flow system guarantees temperature evenness, air flows underneath the intermediate shelf and throughout the cabinet. Thermostat with digital display to adjust the internal temperature (up to 75°C).

Main Features

- Ideal for central positioning in the kitchen, either as island installation or back to back.
- Handles in stainless steel for better hygiene and reliability.
- Sturdiness, stability and reliability of table accurately tested.

Construction

- Reinforced side and base panel in 304 AISI stainless steel.
- 304 AISI stainless steel feet, 200 mm high and 54 mm in diameter, adjustable by -50/+30 mm.
- Inner welded frame in stainless steel to guarantee superior strength and stability.
- Equipped with intermediate shelf which can be positioned at three different heights.
- Sturdy sound-deadened hinged doors on tracks located flush to the front of the frame.
- Without top for integrated solutions.
- Hinged door with sound deadening internal panels, fitted with 304 AISI stainless steel hinges on the inner sides.

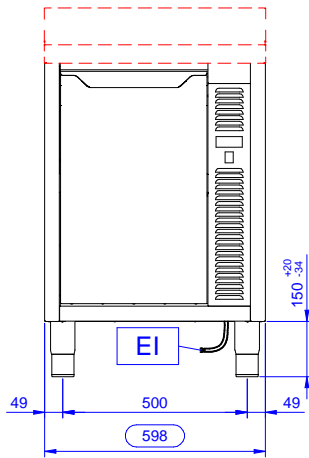
Optional Accessories

- Stainless steel front kicking strip PNC 133205
- Side kicking strip, 700 mm PNC 133206

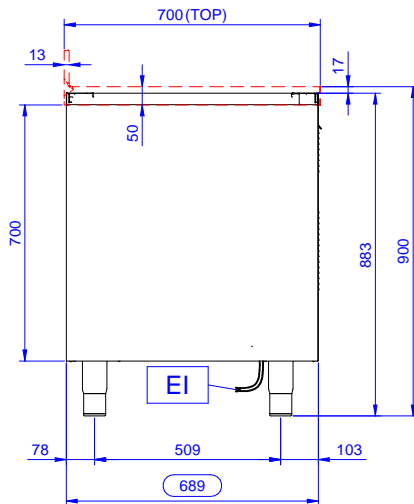
APPROVAL: _____

Standard Preparation 600 mm Ventilated Hot Cupboard with Shelf & 1 Hinged Door - no top

Front

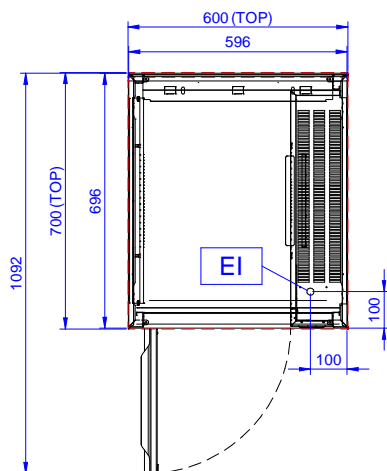


Side



EI = Electrical inlet (power)

Top



Electric

Supply voltage:

133187 (RHC6001HD)

220-240 V/1N ph/50/60 Hz

Total Watts:

2.4 kW

Key Information:

Cabinet width:

430 mm

Cabinet depth:

645 mm

Cabinet height:

610 mm

External dimensions, Width:

600 mm

External dimensions, Depth:

700 mm

External dimensions, Height:

883 mm

Number and type of doors:

1 Hinged

Net weight:

55 kg

 Standard Preparation
 600 mm Ventilated Hot Cupboard with Shelf & 1 Hinged Door - no top

 The company reserves the right to make modifications to the products
 without prior notice. All information correct at time of printing.